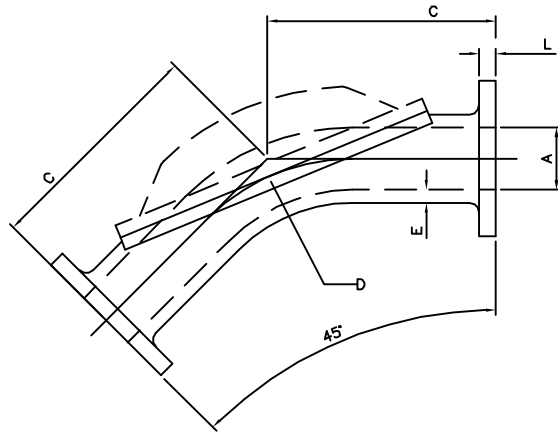
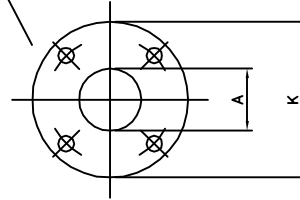


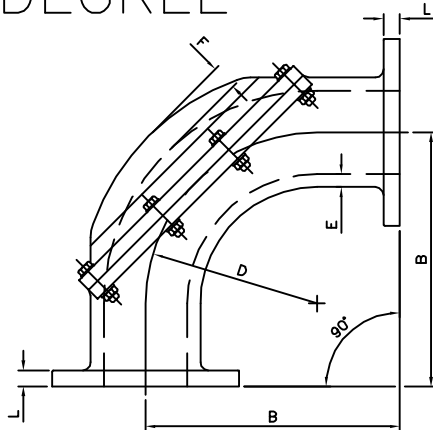
# 45 DEGREE



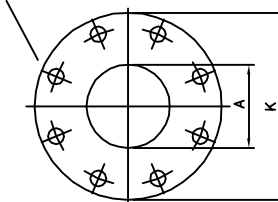
G HOLES  $\phi$ H EQUI-SPACED AS SHOWN ON J BCD (150lb ASA) SAME BOTH FLANGES



# 90 DEGREE



G HOLES  $\phi$ H EQUI-SPACED AS SHOWN ON J BCD (150lb ASA) SAME BOTH FLANGES



SIZE	A	B	C	D	E	F	G	H	J	K	L	WGHT
2"	2	8	8	5	1/2	1 <sup>9</sup> / <sub>16</sub>	4	3/4	4 <sup>3</sup> / <sub>4</sub>	6	7/8	55
3"	3	12 <sup>5</sup> / <sub>8</sub>	11	9 <sup>7</sup> / <sub>8</sub>	5/8	2	4	3/4	6	7 <sup>1</sup> / <sub>2</sub>	3/4	115
4"	4	12 <sup>1</sup> / <sub>4</sub>	12 <sup>1</sup> / <sub>2</sub>	8 <sup>1</sup> / <sub>4</sub>	5/8	1 <sup>1</sup> / <sub>4</sub>	8	3/4	7 <sup>1</sup> / <sub>2</sub>	9	3/4	140
5"	5	13 <sup>3</sup> / <sub>4</sub>	15	9 <sup>7</sup> / <sub>8</sub>	11/16	2	8	7/8	8 <sup>1</sup> / <sub>2</sub>	10 <sup>1</sup> / <sub>4</sub>	1	175
6"	6	15	17	11 <sup>3</sup> / <sub>4</sub>	11/16	2	8	7/8	9 <sup>1</sup> / <sub>2</sub>	11 <sup>1</sup> / <sub>4</sub>	7/8	245
8"	8	20	22	16	3/4	2 <sup>5</sup> / <sub>8</sub>	8	7/8	11 <sup>3</sup> / <sub>4</sub>	13 <sup>1</sup> / <sub>2</sub>	1 <sup>1</sup> / <sub>8</sub>	550
10"	10	26	25	26	3/4	2	12	1	14 <sup>1</sup> / <sub>4</sub>	16	1	850

DIMENSIONS ARE FOR GENERAL GUIDANCE ONLY. SPECIFICATIONS ARE SUBJECT TO CHANGE WITHOUT NOTICE.



**CAROLINA CONVEYING INC**  
 BEAVERDAM INDUSTRIAL PARK  
 162 GREAT OAK DRIVE, CANTON, NC 28716  
 Tel : (828) 235-1005 Fax : (828) 235-1006

This drawing is the property of Carolina Conveying and is loaned subject to the condition that it shall not be reproduced, copied, loaned or submitted to others without our consent.

CLIENT  
 STANDARD

TITLE  
 NI-HARD WEARBACK  
 ELBOWS, 45 & 90 DEGREE  
 TYPICAL DIMENSIONS

SCALE  
 N.T.S.

DRAWING No.  
 NIWB-GA-TABLE-1

DRAWN  
 PCG

CHECKED

APPROVED  
 21AUG09

ISSUE  
 1

AMENDMENTS