



Carolina Conveying

Cast Ni-Hard **Wearback Elbows**



the power
in
powders

Carolina Conveying Inc., 162 Great Oak Drive, Canton NC 28716.
☎ (828) 235-1005 📠 (828) 235-1006 📧 sales@carolinaconveying.com

Cast Ni-Hard Wearback Elbows

Introduction

To supplement our range of pneumatic conveying equipment, Carolina Conveying offers a range of heavy duty, robust Ni-Hard wear-back elbows exclusively for the abrasive product field.

The Wearback Elbow is ideal for pneumatic conveying applications handling abrasive products and is suitable for both dilute and dense phase pneumatic conveying systems. All elbows are flanged to ASA 150# pattern, having overall dimensions in accordance with the dimension table.



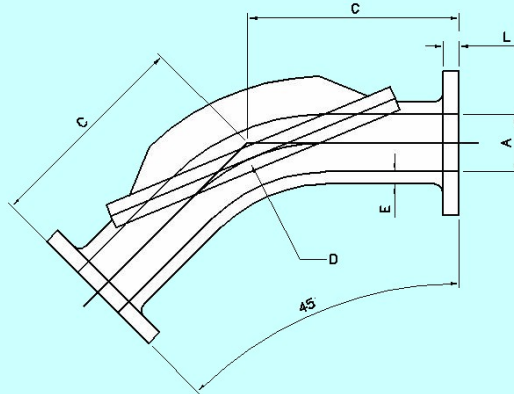
The majority of wear occurs around the outside radius of the elbows, hence the wear back can be replaced to extend the life of the elbow. The wear back may be replaced with the elbow in position, eliminating the longer shutdown associated with normal long radius elbows.

Standard Features

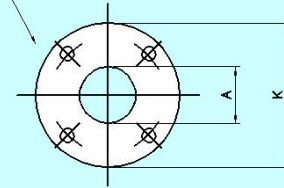
- Cast Ni-Hard for long life
- Increased thickness around wear-back
- 45° and 90° versions available
- Wear-back interchangeable
- Wear-back replaceable with elbow in place
- Short radius to minimize weight
- Suitable for pressures up to 50 psi.
- 500 - 600 Brinnell Hardness

Dimensions

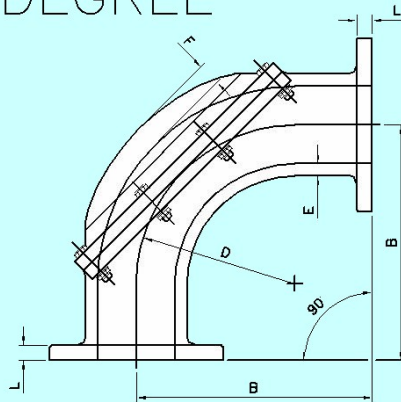
45 DEGREE



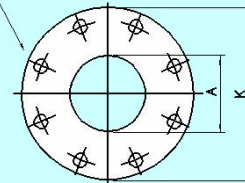
G HOLES ϕ H EQUI-SPACED AS SHOWN ON J BCD (150ib ASA) SAME BOTH FLANGES



90 DEGREE



G HOLES ϕ H EQUI-SPACED AS SHOWN ON J BCD (150ib ASA) SAME BOTH FLANGES



SIZE	A	B	C	D	E	F	G	H	J	K	L	WGHT
2"	2	8	8	5	1/2	1 ⁹ / ₁₆	4	3/4	4 ³ / ₄	6	7/8	55
3"	3	12 ⁵ / ₈	11	9 ⁷ / ₈	5/8	2	4	3/4	6	7 ¹ / ₂	3/4	115
4"	4	12 ¹ / ₂	12 ¹ / ₂	8 ¹ / ₂	5/8	1 ¹ / ₂	8	3/4	7 ¹ / ₂	9	3/4	140
5"	5	13 ³ / ₄	15	9 ⁷ / ₈	11/16	2	8	7/8	8 ¹ / ₂	10 ¹ / ₂	1	175
6"	6	15	17	11 ³ / ₄	11/16	2	8	7/8	9 ¹ / ₂	11 ¹ / ₂	7/8	245
8"	8	20	22	16	3/4	2 ⁵ / ₈	8	7/8	11 ³ / ₄	13 ¹ / ₂	1 ¹ / ₈	550
10"	10	26	25	26	3/4	2	12	1	14 ¹ / ₄	16	1	850

Dimensions are in inches.

Dimensions are subject to change without notice.



Pneumatic Conveying Components

- Drop Thru Airlocks



- Conveying Diverters



- Plug Diverters



- Blow Thru Airlocks

